

## Main Features:-

- ◆ Wafer Butterfly Valve NBR Liner
- ◆ Suits PN10 / PN16 and ANSI 150 Flanges
- ◆ 1 1/2" to 24" Available on Quick Delivery
- ◆ -10 to + 80C Temperature Rating PN16\*
- ◆ Lever Op. 1 1/2" to 10", Gearbox 12" to 24"

\*Temperature and pressure determined by valve body, seat etc.

## Suitable Applications & Approvals:



INDUSTRY

HVAC

WATER

Use different part numbers for different liner materials.



## SERIES: 20008

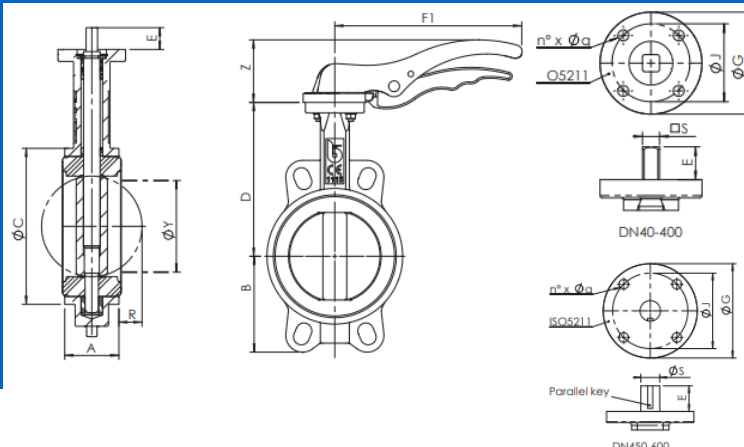
MANUFACTURER: **AVOL**  
INDUSTRIAL VALVES

SIZE	CODE	A	C	D	B	ISO	STEM	G	J	Nm 10BAR	Nm 16BAR	Kg
1 1/2"	20008-08	33	82	116	63	F05	9	65	50	8.8	9.2	1.8
2"	20008-09	43	89	126	62	F05	9	65	50	13.0	13.0	2.1
2 1/2"	20008-10	46	102	136	69	F05	9	65	50	20.0	21.0	2.4
3"	20008-11	46	118	150	90	F05	11	65	50	26.0	28.0	3.2
4"	20008-12	52	150	170	106	F05	11	65	50	40.0	44.0	4.3
5"	20008-13	56	174	180	119	F07	14	90	70	61.0	68.0	6.3
6"	20008-14	56	205	200	131	F07	14	90	70	88.0	99.0	7.8
8"	20008-16	60	260	230	166	F10	17	125	102	148.0	162.0	15.0
10"	20008-18	68	318	266	202	F12	27	150	125	234.0	257.0	23.5
12"	20008-20	78	376	292	235	F12	27	150	125	342.0	367.0	42.0
14"	20008-22	78	406	335	257	F12	27	150	125	396.0	550.0	43.0

\* Up to 16" WRAS approved, sales team can provide specification and dimensions for 16" to 24" on request. Nm includes no safety factor

VALVE DIMENSIONS

## DIMENSIONAL DRAWING OF VALVE



## MATERIALS OF CONSTRUCTION

BODY	DUCTILE IRON
DISC	Aluminium Bronze
LINER	NBR
BUSHING	PTFE
ORINGS	VITON
Lever 1 1/2" to 6"	Aluminium
Lever 8" to 10"	Ductile Iron
Stem	Stainless Steel

T +44 (0)1386 552369

E sales@allvalves.co.uk

W www.allvalves.co.uk

F +44 (0)1386 554227



What is WRAS? This is the approval required for valves to be used for applications where Potable (drinking) water is being processed/ used. This valve's WRAS certificate is available on request.

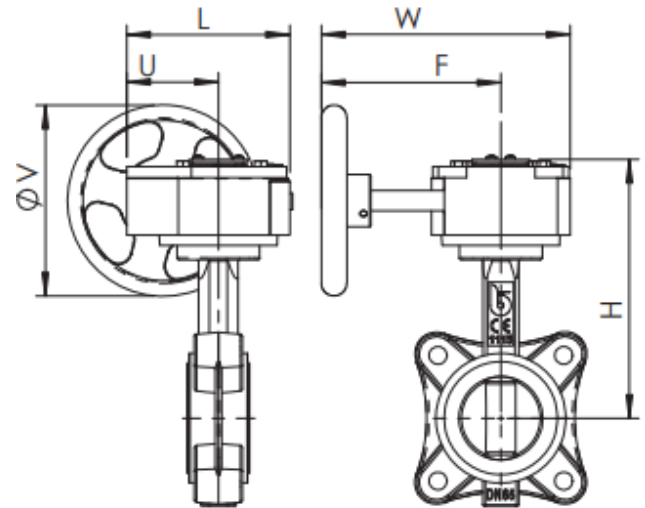
## SERIES: 20008

MANUFACTURER:

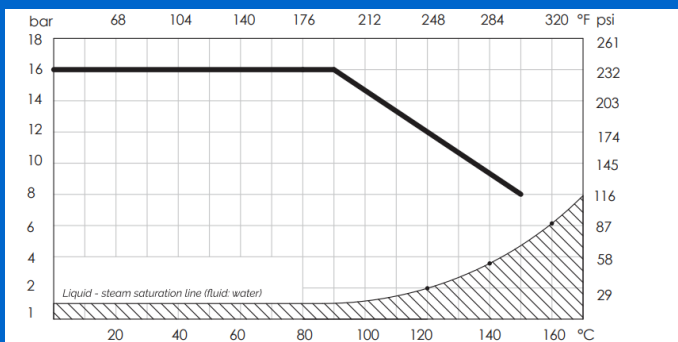


SIZE	CODE	L	U	H	W	F	V
12"	20008-20	205	124	372	345	260	300
14"	20008-22	205	124	415	345	260	300
16"	20008-24	278	118	457	291	167	380
18"	20008-26	278	118	519	291	167	380
20"	20008-28	277	107	607	379	207	285
24"	20008-32	323	131	693	428	256	285

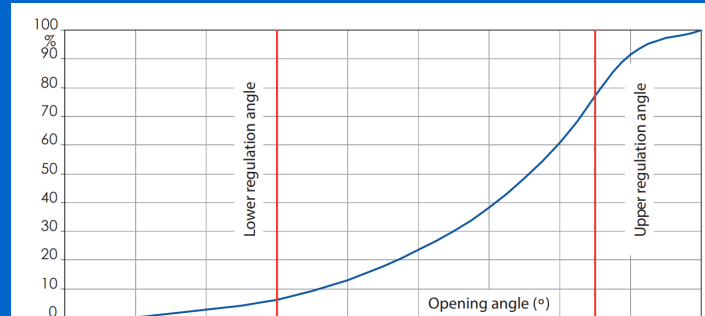
### GEARBOX DIMENSIONS



### PRESSURE & TEMP CHART



### FLOW CHART - Kv RATES BE-



SIZE	CODE	10	20	30	40	50	60	70	80	90
1 1/2"	20008-08	0.04	2.1	4.8	10	19	30	48	73	79
2"	20008-09	0.05	2.6	6	13	23	38	60	91	99
2 1/2"	20008-10	0.09	3.8	14	33	53	75	98	108	108
3"	20008-11	0.17	7.8	16	34	60	100	158	237	261
4"	20008-12	0.26	15	31	67	120	199	314	471	518
5"	20008-13	0.43	25	53	115	205	339	535	803	883
6"	20008-14	0.69	39	82	177	316	522	827	1241	1364
8"	20008-16	2.6	52	142	250	450	713	1122	1723	2716
10"	20008-18	2.6	130	276	599	1068	1768	2798	4196	4611
12"	20008-20	3.5	202	427	926	1650	2730	4322	6483	7124
14"	20008-22	5.2	292	617	1376	2384	3945	6243	9364	10291
16"	20008-24	6.9	401	849	1839	3279	5425	8585	12878	14152
18"	20008-26	9.5	531	1124	2437	4342	7185	11371	17057	18743

PRESSURE / TEMPERATURE / CV CHARTS

T +44 (0)1386 552369

W [www.allvalves.co.uk](http://www.allvalves.co.uk)

E [sales@allvalves.co.uk](mailto:sales@allvalves.co.uk)

F +44 (0)1386 554227

